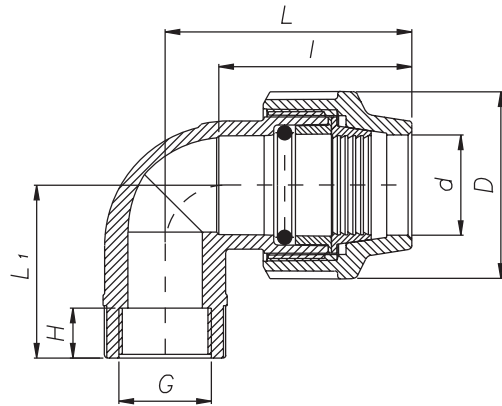




GOMITO A 90° CON DERIVAZIONE FEMMINA
90° ELBOW WITH THREADED FEMALE TAKE OFF

*La bocca filettata è rinforzata da un anello di acciaio inox
*The threaded end is reinforced with a stainless steel ring



COD	dxG	D	I	H	L	L ₁	PN
1009016002001	16x1/2"	42	50	18	54	48	16
1009016003001	16x3/4"	42	50	18	54	48	16
1009020002001	20x1/2"	46	56	18	57	39	16
1009020003001	20x3/4"	46	56	18	57	40	16
1009025002001	25x1/2"	55	64	18	66	45	16
1009025003001	25x3/4"	55	64	18	66	46	16
1009025004001	25x1"	55	64	20	66	48	16
1009032002001	32x1/2"	63	68	17	75	48	16
1009032003001	32x3/4"	63	68	18	75	49	16
1009032004001	32x1"	63	68	21	75	51	16
1009032005001	*32x1 1/4"	63	68	26	75	56	16
1009040003001	40x3/4"	79	81	18	95	55	16
1009040004001	40x1"	79	81	21	95	59	16
1009040005001	*40x1 1/4"	79	81	25	95	64	16
1009040006001	*40x1 1/2"	79	81	25	95	63	16
1009050005001	*50x1 1/4"	96	103	24	110	85	16
1009050006001	*50x1 1/2"	96	103	27	110	92	16
1009050002001	*50x2"	96	103	27	110	88	16
1009063006001	*63x1 1/2"	115	131	26	140	101	16
1009063007001	*63x2"	115	131	35	140	108	16
1009063008001	*63x2 1/2"	115	131	35	140	108	16
1009076007001	*75x2"	129	143	36	157	123	16
1009076008001	*75x2 1/2"	129	143	37	157	125	16
1009076009001	*75x3"	129	143	38	157	129	16
1009091009001	*90x3"	155	158	40	169	140	16
1009091010001	*90x4"	155	158	40	169	142	16
1009111009001	*110x3"	183	211	40	223	134	16
1009111010001	*110x4"	183	211	40	223	138	16