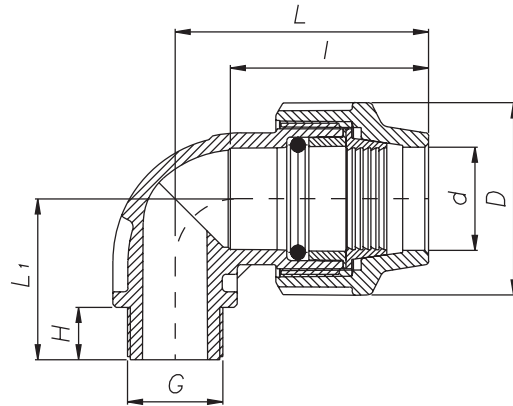




GOMITO A 90° CON DERIVAZIONE MASCHIO
90° ELBOW WITH THREADED MALE TAKE OFF



COD	dxG	D	I	H	L	L ₁	PN
1008016002001	16x1/2"	42	50	18	68	45	16
1008016003001	16x3/4"	42	50	18	68	45	16
1008020002001	20x1/2"	46	56	18	74	39	16
1008020003001	20x3/4"	46	56	19	74	40	16
1008025002001	25x1/2"	55	64	18	84	43	16
1008025003001	25x3/4"	55	64	19	84	44	16
1008025004001	25x1"	55	64	22	84	47	16
1008032002001	32x1/2"	63	68	18	95	47	16
1008032003001	32x3/4"	63	68	19	95	48	16
1008032004001	32x1"	63	68	22	95	51	16
1008032005001	32x1 1/4"	63	68	25	95	54	16
1008040004001	40x1"	79	81	22	115	61	16
1008040005001	40x1 1/4"	79	81	25	115	64	16
1008040006001	40x1 1/2"	79	81	25	115	64	16
1008050005001	50x1 1/4"	96	102	27	138	77	16
1008050006001	50x1 1/2"	96	102	27	138	77	16
1008050007001	50x2"	96	102	27	138	77	16
1008063006001	63x1 1/2"	115	130	23	174	85	16
1008063007001	63x2"	115	130	28	174	100	16
1008063008001	63x2 1/2"	115	130	32	174	104	16
1008076008001	75x2 1/2"	129	136	32	188	104	16
1008076009001	75x3"	129	136	35	188	107	16
1008091009001	90x3"	155	156	35	210	114	16
1008091010001	90x4"	155	156	41	210	120	16
1008111010001	110x4"	183	205	42	270	144	16